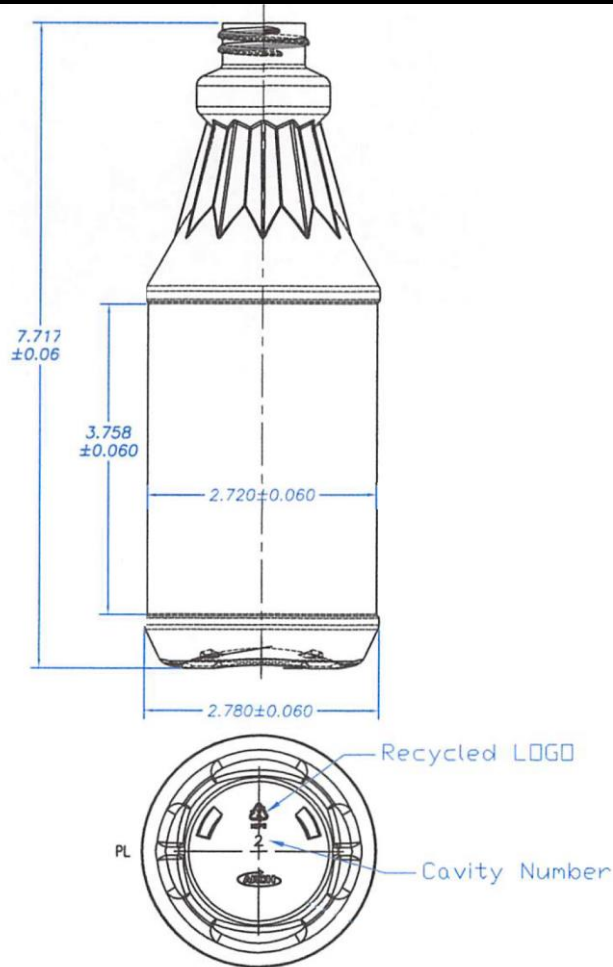


**Date Created: 8/19/20**

**16oz HDPE Fluted RD**

**Bottle Data Sheet**



**ARCH # 16HD28**

**MOLD # K379A0 (8 Cavities #1 to #8)**

**HOUSE RESIN MATERIAL: Bapolene 2035**

**OVERFLOW CAPACITY:  $519.0 \pm 13.0$  ml**

**HEIGHT:  $7.717 \pm 0.060$  Inch**

**WEIGHT:  $32.0 \pm 2.5$  g**

**DIAMETER:  $2.780 \pm 0.060$  Inch**

**NECK FINISH: M28SP400 SPL (1.5 Turn)**

**BOTTLE PER BOX: 192**

**BOTTLE PER PALLET: 3,072**

**BOTTLE PER 53' TRUCK: 86,016**

**PALLET WEIGHT: 306 lbs**

**STOCK COLORS: Natural**